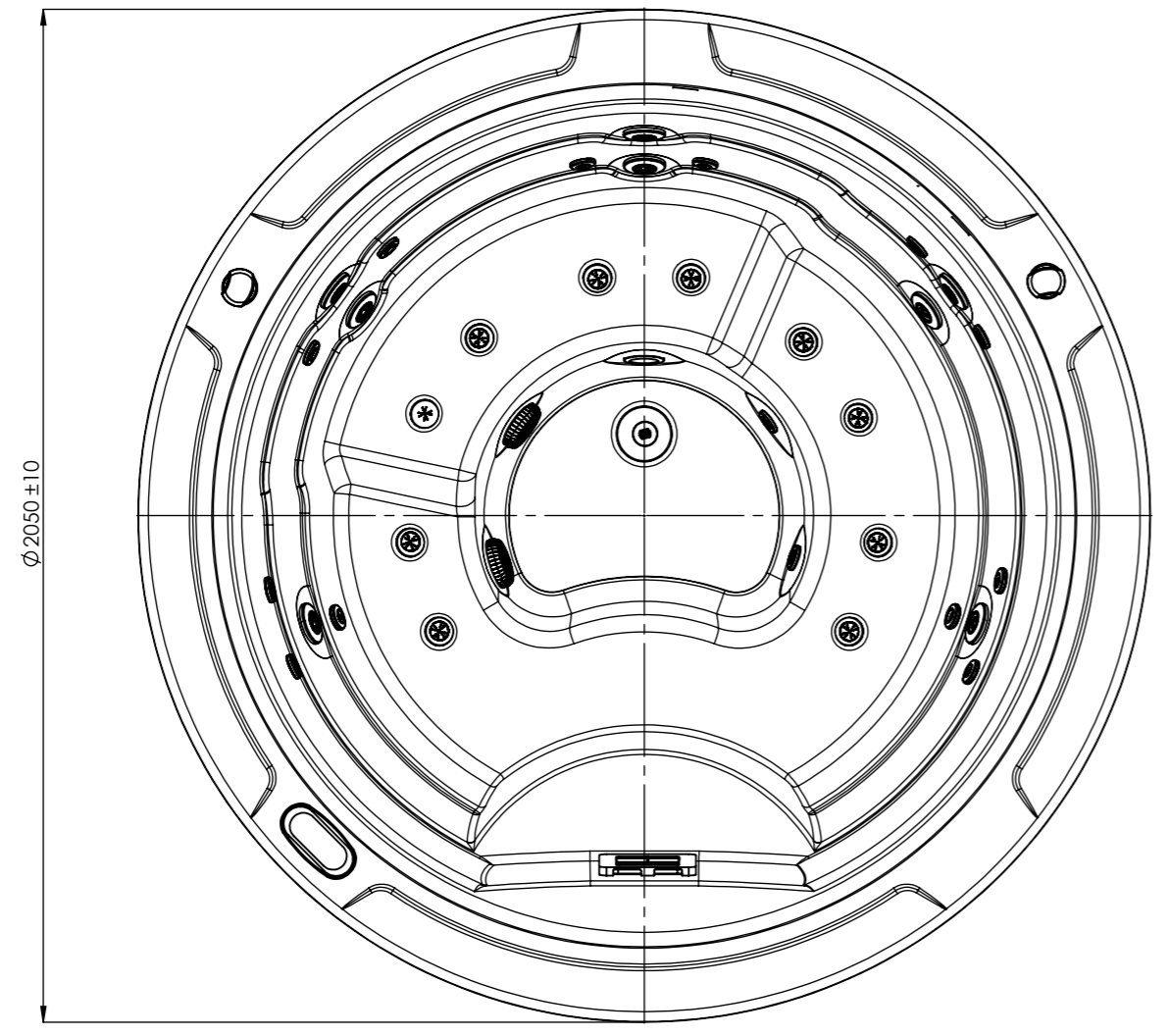
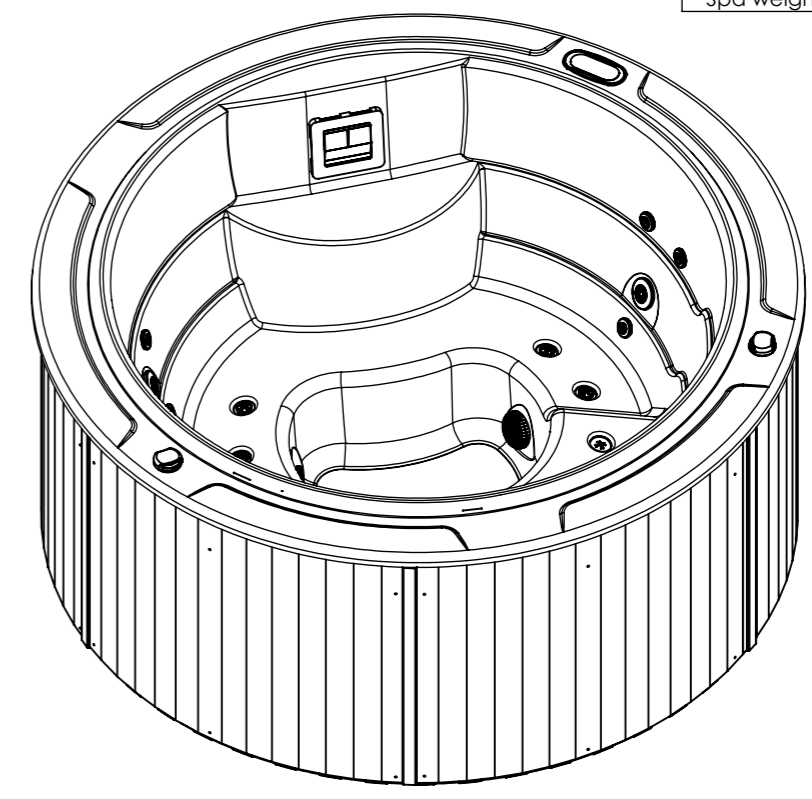
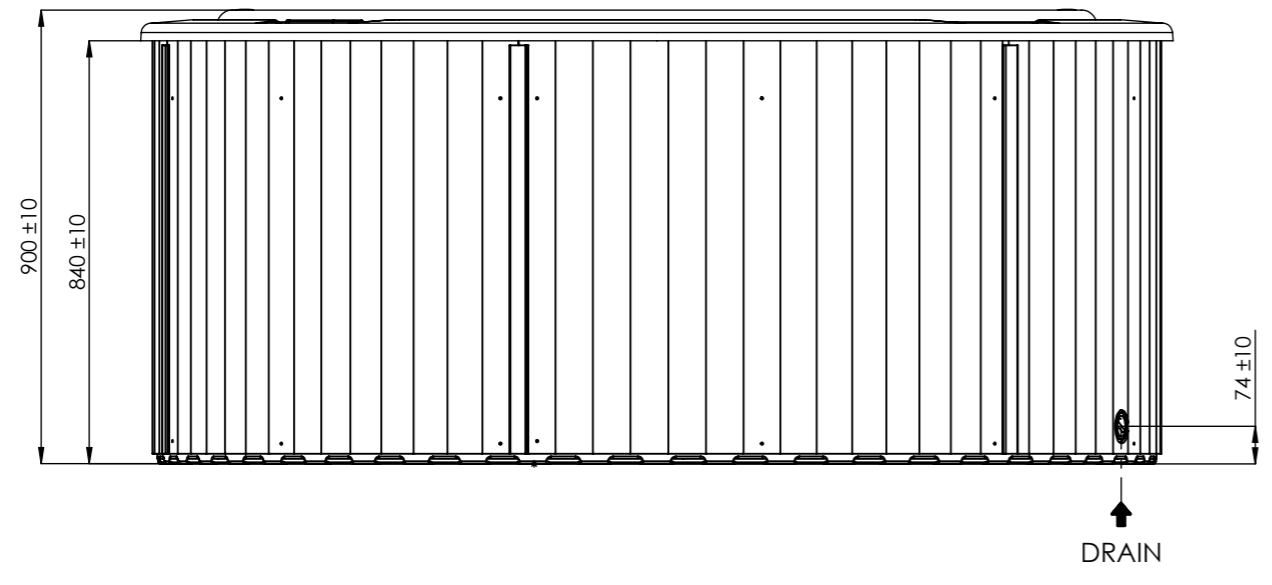
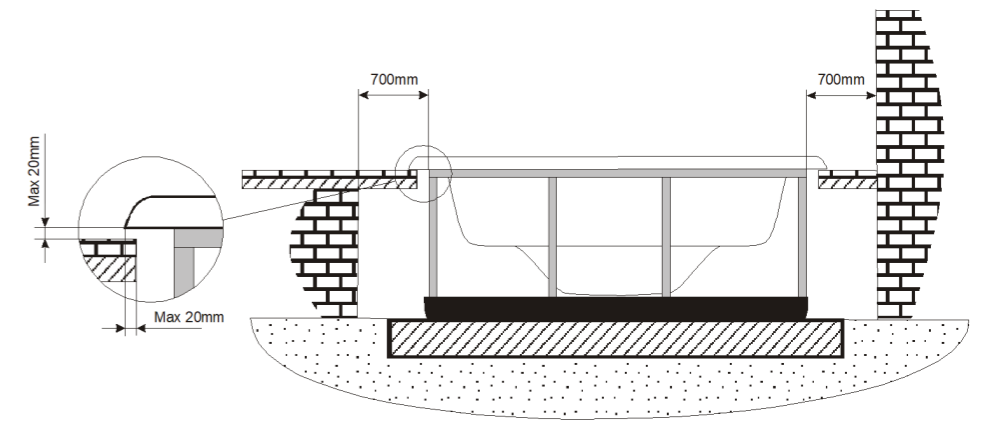


| General specifications | |
|------------------------|--------|
| Spa weight (empty) | 260 Kg |
| Spa weight (full) | 920 Kg |



Inground option

WARNING:
It's essential to keep a minimum clearance access of **700mm** all around.



↑ ↑
ELECTRICAL BOARD CONNECTIONS ACCESS

According to our policy of continuous improvement, dimensions, features or components of this product can be partially or completely changed without prior notice.
It's Customer responsibility to verify that this is the last version of the drawing

| 08 | 19/11/2020 | A. Miquel | Updated. |
|------------|------------|------------|--|
| 07 | 31/01/2020 | A. Miquel | Bathub new geometry. |
| 06 | 14/12/2018 | D.Castillo | Spa weight added. |
| 05 | 12/07/2018 | A. Miquel | Jets changed (CMP). |
| 04 | 08/05/2017 | O. Faura | Changing of electronic parts references. |
| Change No. | Date | Name | Modification |

| | | | | | | |
|---|------------|--------------------|-------------------|-------------|--------------|-----------|
| Remarks Dimensions in mm. General Tolerances +/- 10mm | | | COMMERCIAL | | | |
| Drawn | 25/04/2012 | J.Jorba | | Part Number | 52163 | |
| Checked | 25/04/2012 | I.Nicolas | | Rev. | | 08 |
| Scale | 1:15 | General Tolerance | | | | |
| Sheet | 1/2 | DIN 7168 ISO 2768g | | | | |
| Property of IBERSPA S.L. Avda. Pla d'Urgell 2-8 25200 Cervera, Spain. Don't use without permission. Keep this information confidential and use it solely for the permitted purpose. | | | | | | |