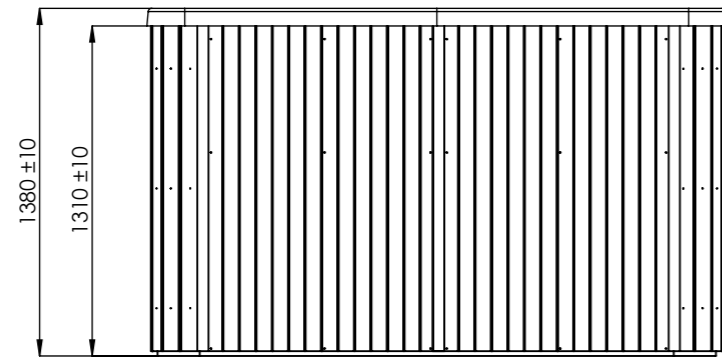
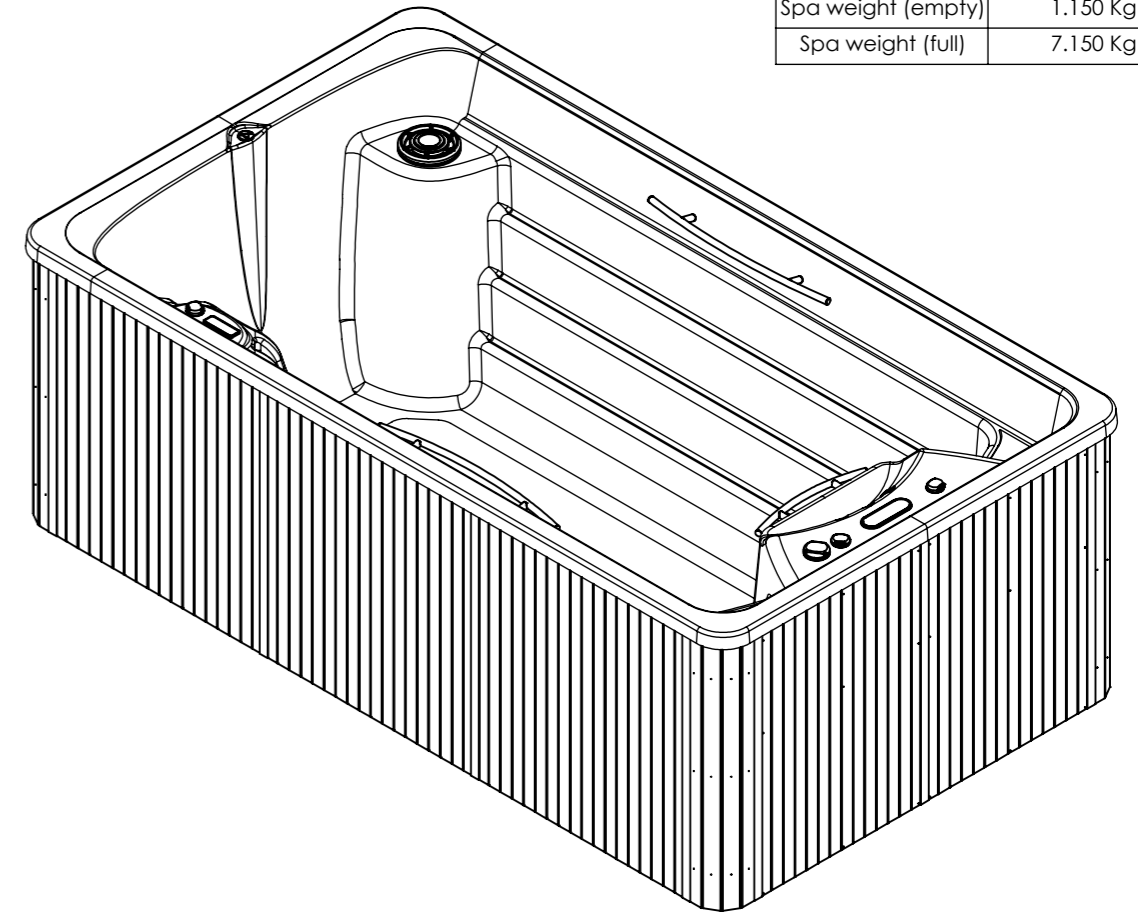
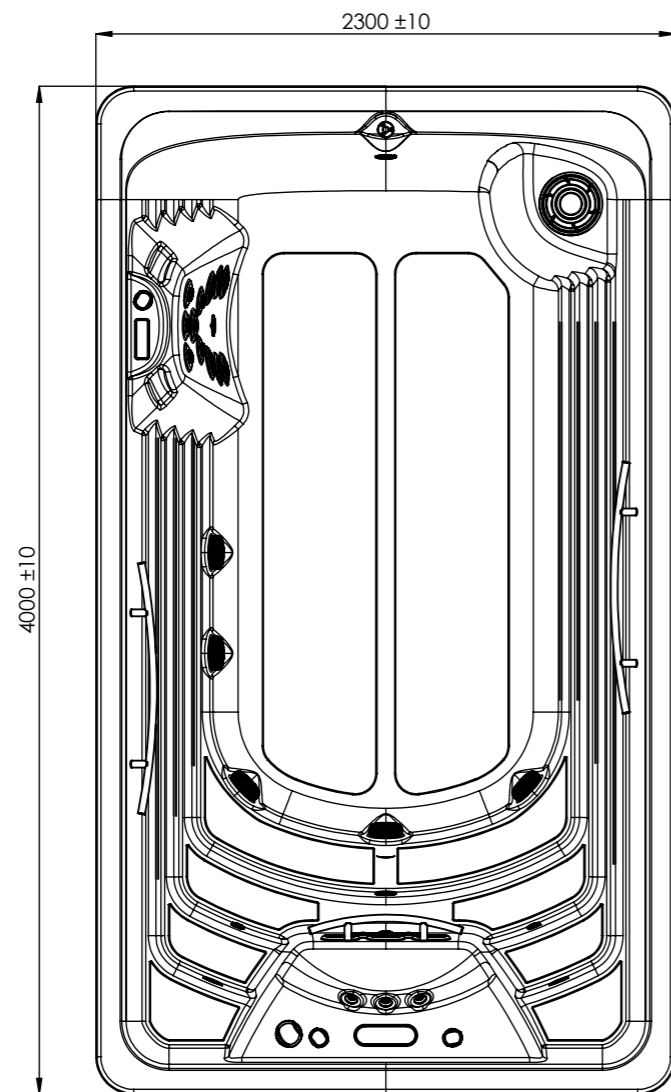


General specifications	
Spa weight (empty)	1.150 Kg
Spa weight (full)	7.150 Kg



↑
DRAIN

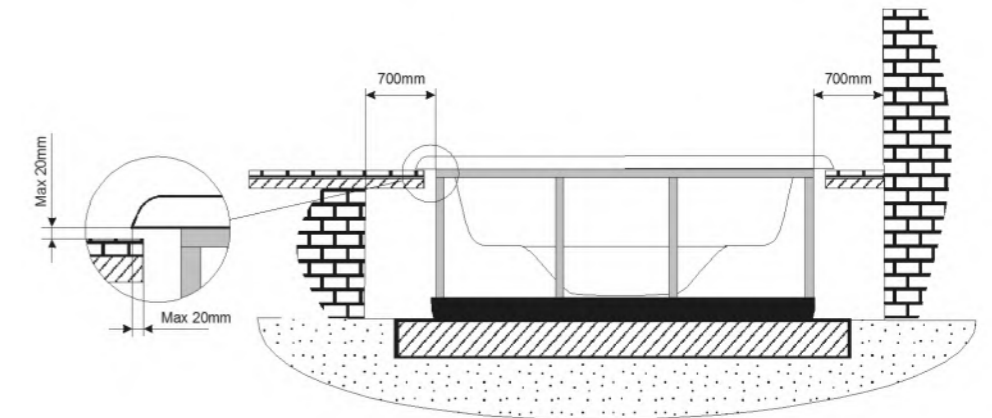


↑
DRAIN

↑ ↑
ELECTRICAL BOARD CONNECTIONS ACCESS

Inground option

WARNING:
It's essential to keep a minimum clearance access of **700mm** all around.



According to our policy of continuous improvement, dimensions, features or components of this product can be partially or completely changed without prior notice. It's Customer responsibility to verify that this is the last version of the drawing

Change No.	Date	Name	Modification
02	03/12/2018	D.Castillo	Spa weight added.
01	04/10/2018	A.Miquel	Jets (CMP) changed.

Remarks Dimensions in mm. General Tolerances +/- 10mm			COMMERCIAL			
Drawn	20/03/2017	O. Faura	IBERSPA	Part Number 69128	Rev. 02	First Angle Projection
Checked	20/03/2017	V. Saiz				
Scale 1:30	General Tolerance DIN 7168 ISO 2768g					
Sheet 1/2	Property of IBERSPA S.L. Avda. Pla d'Urgell 2-8 25200 Cervera, Spain. Don't use without permission. Keep this information confidential and use it solely for the permitted purpose.					